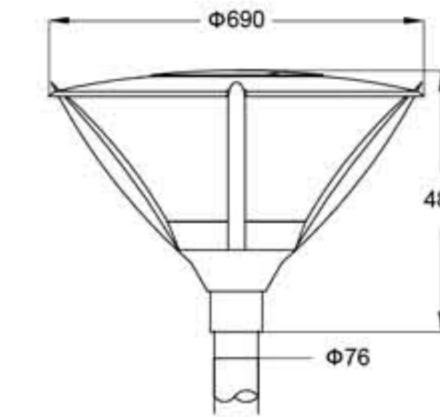


# KTSL7502

## Led Garden Lighting / 庭院灯

灯具尺寸 Product Dimensions(mm)



产品说明：  
整体铝压铸外壳  
二次配光技术  
抗 UV PC 灯罩  
整体密封结构

Product description:  
whole body Die cast aluminum housing  
Double photometric diffuser technology  
UV-stop PC lamp cover  
Sealed lamp housing



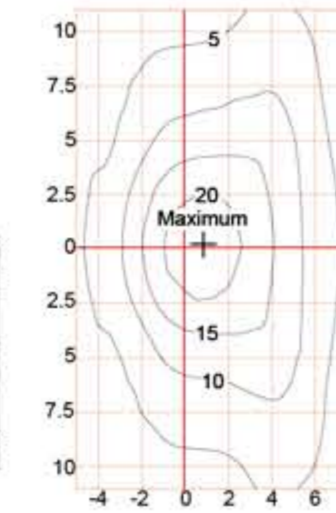
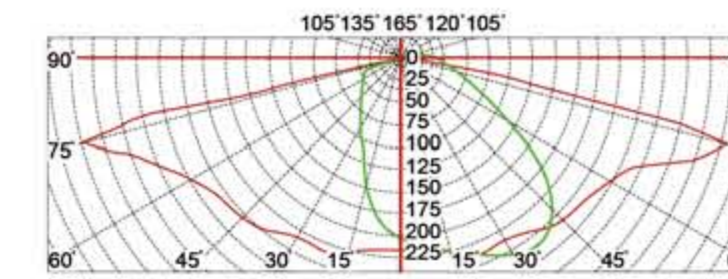
### 配置数据 / Configuration Data:

| 产品型号<br>Product Code | 额定功率<br>Rated Power | 初始光通量 Luminous Flux |      |      | 毛净重<br>G.W/N.W | 包装尺寸<br>Packing Size |
|----------------------|---------------------|---------------------|------|------|----------------|----------------------|
|                      |                     | WW                  | NW   | CW   |                |                      |
| KTSL7502(16)         | 35W                 | 3190                | 3300 | 3410 | 12.5/11(kgs)   | 570x570x570          |
| KTSL7520(24)         | 50W                 | 4565                | 4675 | 4840 | 12.5/11(kgs)   | 570x570x570          |
| KTSL7502(28)         | 60W                 | 5500                | 5610 | 5830 | 12.5/11(kgs)   | 570x570x570          |

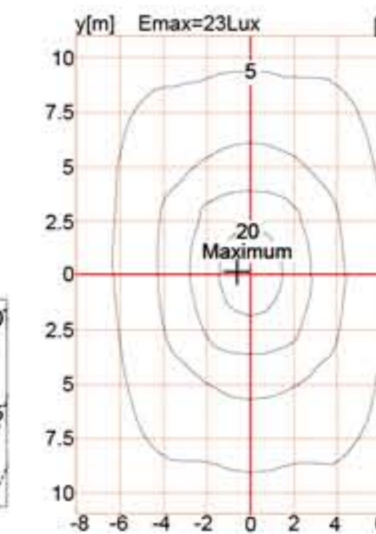
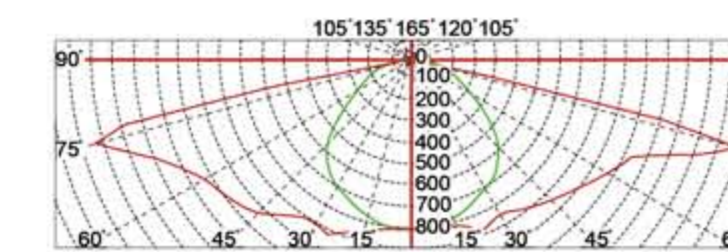
参考颜色 Reference color : RAL 7015  RAL 9005

### 配光曲线 Polar Diagram

Type1



Type2



Type3

